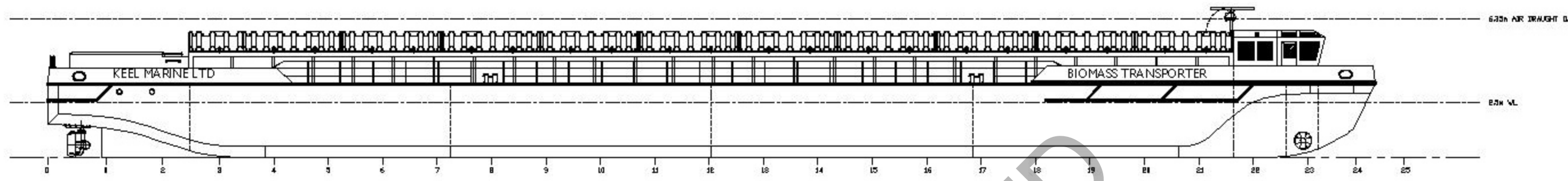
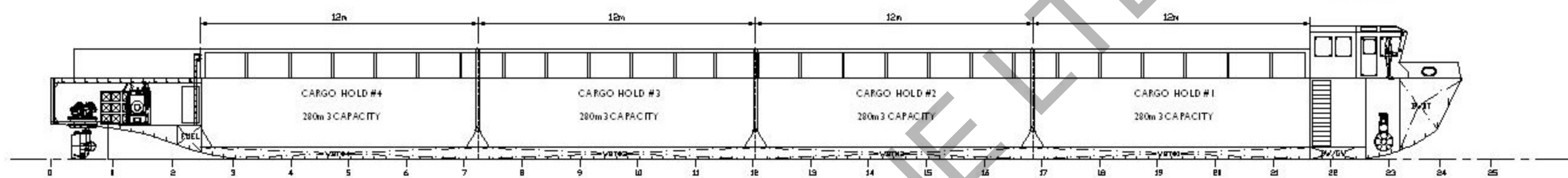


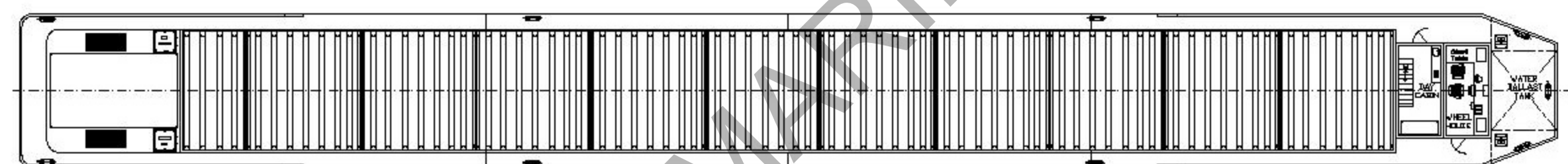
THIS IS A CAD DRS DO NOT CHANGE BY HAND !		DRS No: 2100-2	TITLE GENERAL ARRANGEMENT
ISSUE	REMARKS		DATE



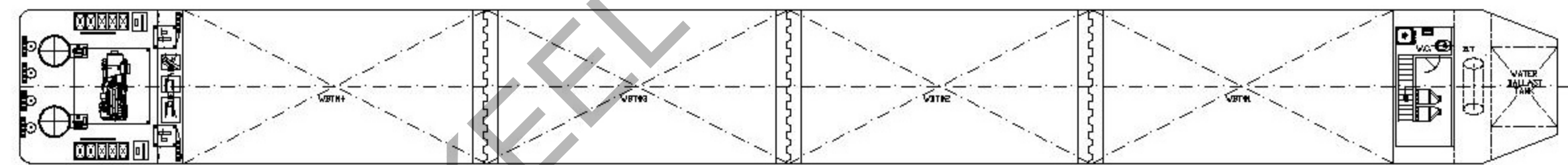
PROFILE



CENTRELINE SECTION



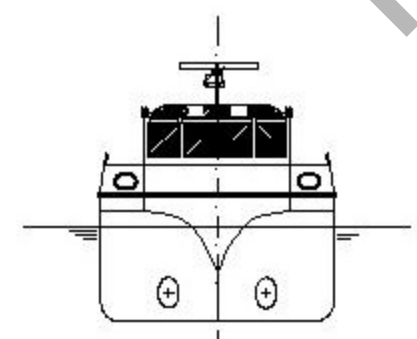
ABOVE DECK SECTION



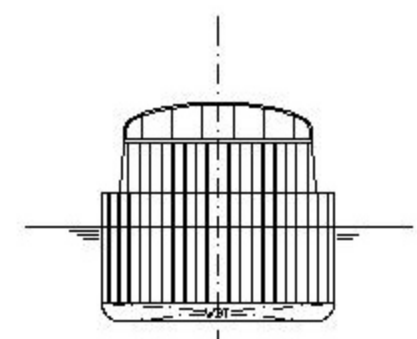
BELOW DECK SECTION

PRINCIPAL DIMENSIONS

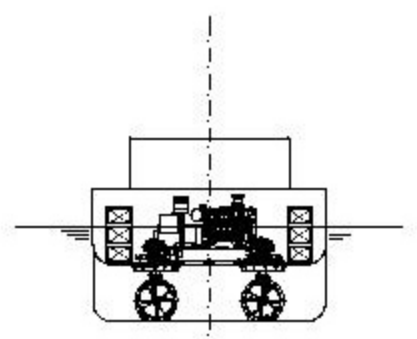
LENGTH O.A	61.0m
BEAM	6.1m
MAX. DRAFT	2.5m
AIR DRAFT	3.3m
DEADWEIGHT	650t




VIEW ON BOW



MIDSHIP SECTION



AFT SECTION



**KEEL MARINE Ltd**  
NAVAL ARCHITECTS, MARINE ENGINEERS & SURVEYORS

RENEWAL OFFICE PARK  
UNITS 4-6, WATFORD RD  
REXDALE, GLEBE INF  
WATFORD, Herts  
TEL: +44 (0) 1728 53385  
FAX: +44 (0) 1728 53384

PROJECT: <b>HYBRID POWERED 650dwt BIOMASS BARGE</b>		TITLE: <b>GENERAL ARRANGEMENT</b>	
DRW. NO:	DATE: 07/04/13	SCALE: 1:200	SIZE: A3
APP. NO:	DATE:		IRG No- <b>9014-001</b>
			ISSUE 2