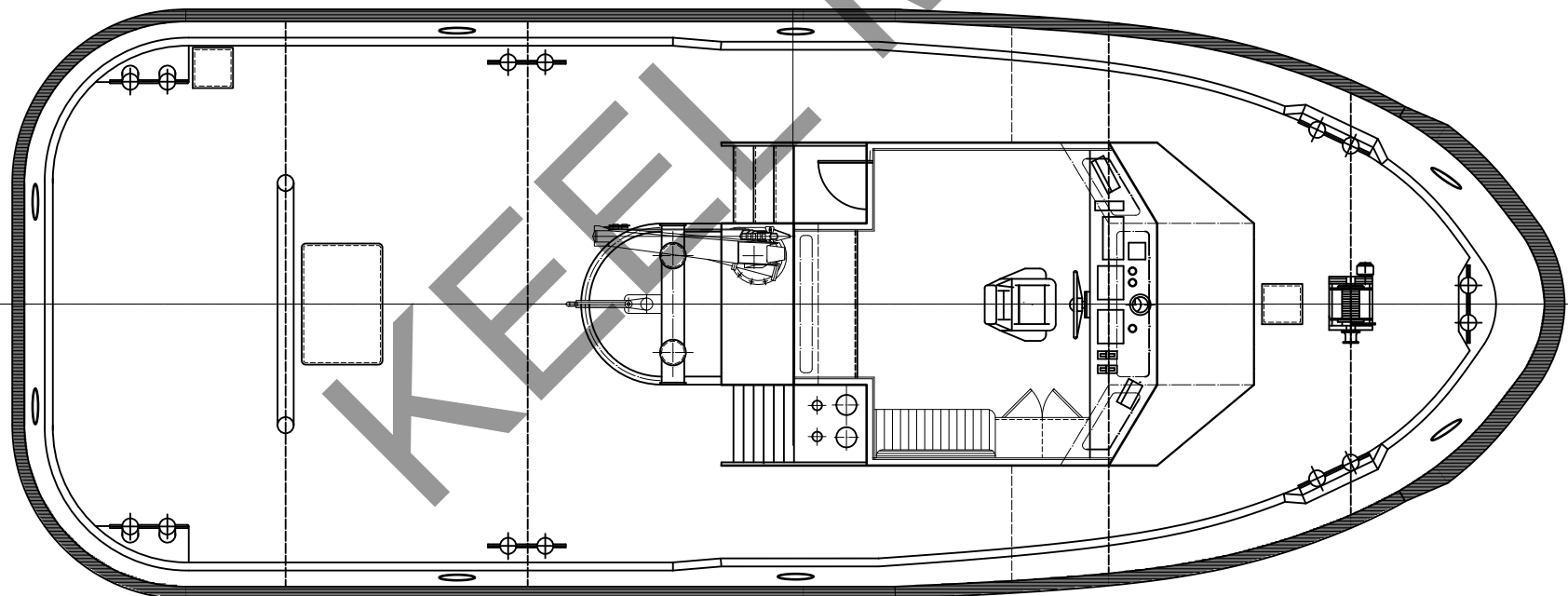


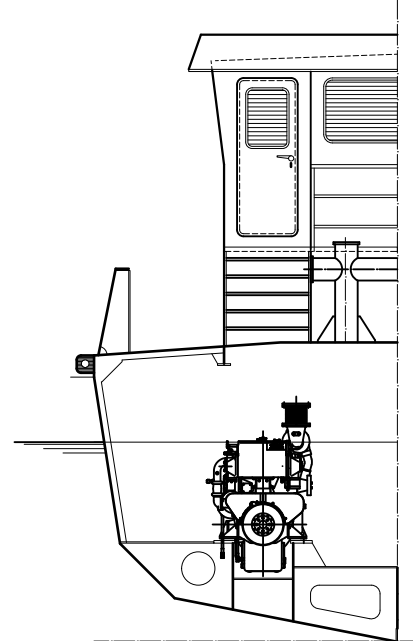
PROFILE




PLAN AT DECK

PRINCIPAL DIMENSIONS

LENGTH Overall (Hull) _____ 18.85 M
 LENGTH B.P. _____ 16.80 M
 BREADTH Mid. _____ 7.00 M
 DEPTH Mid. _____ 3.30 M
 Draft Mid Midships. _____ 2.20 M
 BOLLARD PULL _____ In excess of 20 t



View About Midships

 KEEL MARINE Ltd <small>NAVAL ARCHITECTS, MARINE ENGINEERS & SURVEYORS</small>		<small>ROSEBAY OFFICE PARK UNITS 6-8, REPTON RD PETERBOROUGH, CAMBS UNITED KINGDOM TEL: +44 (0) 1728 268899 FAX: +44 (0) 1728 269261</small>	
PROJECT : 20 T Bollard Pull Tug.		TITLE : General Arrangement	
DRN. BY: PEW CHK. BY: APP. BY:	DATE: 26/10/07 DATE: DATE:	SCALE: SIZE: A3	DRG. No:- 9016-001 ISSUE: